

PAMS Technical Documentation

NHX-7 Series Transceiver

Chapter 8

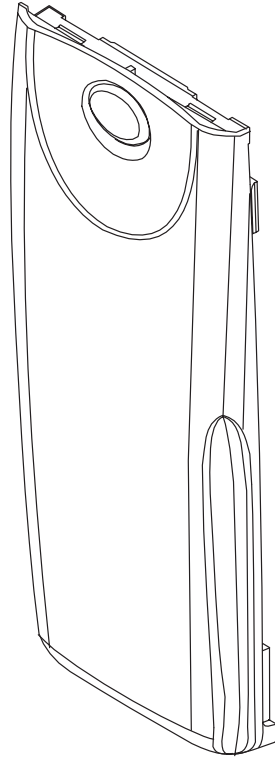
Non Serviceable Accessories

CONTENTS

	Page No
Slim Battery BLS-2	NS-4
Product Code	NS-4
Standard Battery BMS-2S	NS-5
Product Code	NS-5
Vibrator Battery BMS-2V	NS-6
Product Code	NS-6
Battery BLS-2H	NS-7
Product Code	NS-7
Extended Battery BLS-4	NS-8
Product Code	NS-8
AC Travel Charger ACP-7	NS-9
Product Codes	NS-9
Specification	NS-9
Fast Travel Charger ACP-9	NS-10
Product Codes	NS-10
Specification	NS-10
Cigarette Lighter Charger LCH-9	NS-11
Product Code	NS-11
Specification	NS-11
Desktop Stand DCH-9	NS-12
Product Code	NS-12
Specification	NS-12
Mobile Holder MBC-1	NS-13
Product Code	NS-13
Swivel Mount HHS-9	NS-13
Product Code	NS-13
Headset HDC-9	NS-14
Product Code	NS-14
Belt Clip BCH-12	NS-15
Product Code	NS-15

Slim Battery BLS-2

The BLS-2 is a Li-ion light battery with 900 mAh capacity.



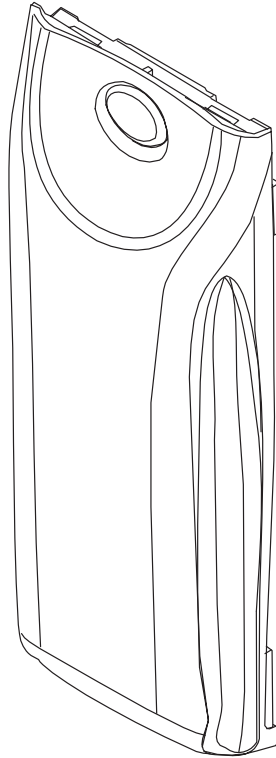
Product Code

Battery pack BLS-2:

0670206

Standard Battery BMS-2S

The BMS-2S is a NiMH battery with 900 mAh capacity.



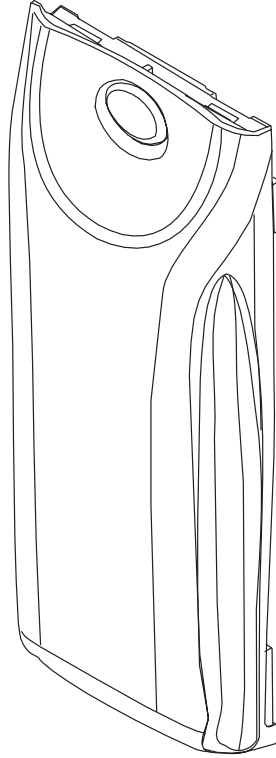
Product Code

Battery pack BMS-2S:

0670225

Vibrator Battery BMS-2V

The BMS-2V is a NiMH battery with 900 mAh capacity and vibrator.



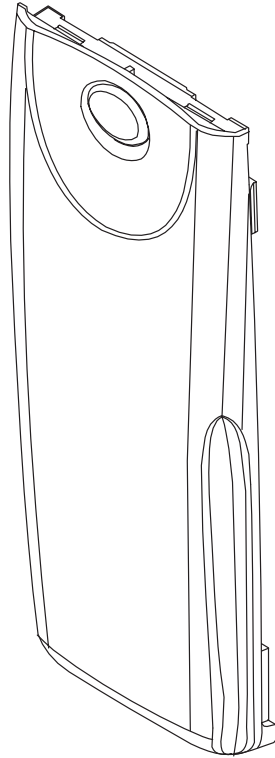
Product Code

Battery pack BMS-2V:

0670204

Battery BLS-2H

The BLS-2 H is a Li-ion light battery with 1000 mAh capacity.



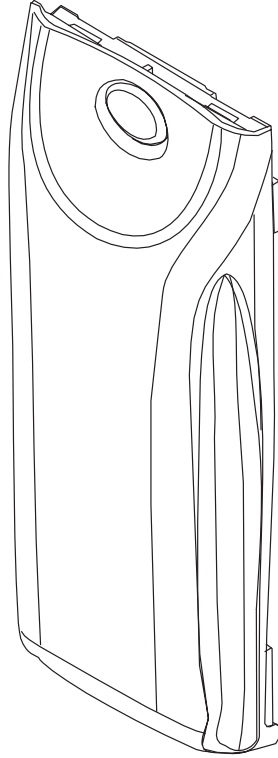
Product Code

Battery pack BLS-2 H:

0670235

Extended Battery BLS-4

The BLS-4 is a Li-ion battery with 1500 mAh capacity.



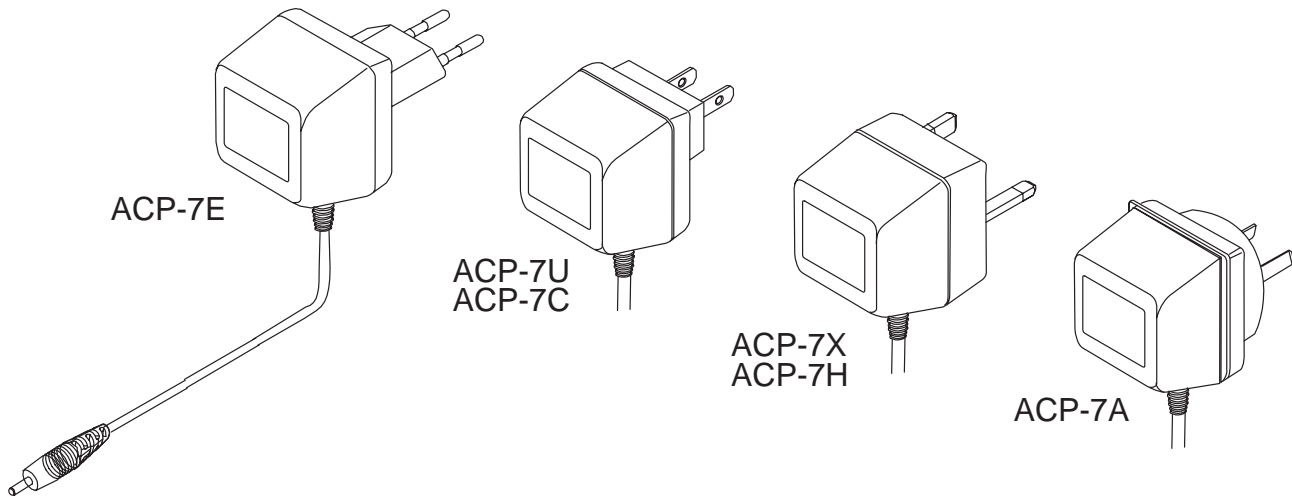
Product Code

Battery pack BLS-4:

0670207

AC Travel Charger ACP-7

The standard charger is available for different voltage levels and comes with different wall plugs. The standard charger can also be used as a power supply for the desktop stand.



S0001160

Product Codes

AC Travel Charger (Euro plug) 207-253 Vac
 AC Travel Charger (US plug) 108-132 Vac
 AC Travel Charger (US plug) 198-242 Vac
 AC Travel Charger (UK plug) 207-253 Vac
 AC Travel Charger (UK plug) 180-220 Vac
 AC Travel Charger (US) 207-253 Vac

ACP-7E 0675144
 ACP-7U 0675143
 ACP-7C 0675212
 ACP-7X 0675145
 ACP-7H 0675146
 ACP-7A 0675148

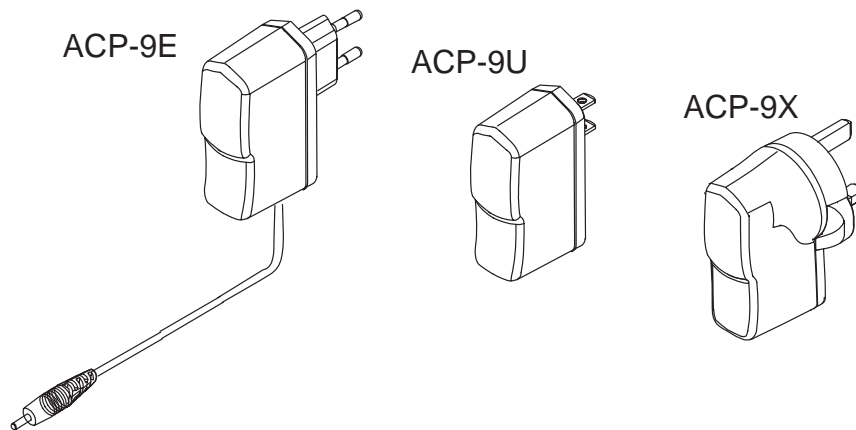
Specification

Output connectors:	3.5 mm DC plug, 2-pole
Protection:	PTC protection
Output Voltage /Current (typ)	7.6 V / 370 mA

Fast Travel Charger ACP-9

Operating within the voltage range 90 V...264 V AC (50 Hz...60 Hz), the Fast Travel Charger is practically current independent in normal office and household use. Like the standard charger, it is compatible with all battery options and is available for different wall sockets.

The Fast Travel Charger can also be used with desktop stand.



Product Codes

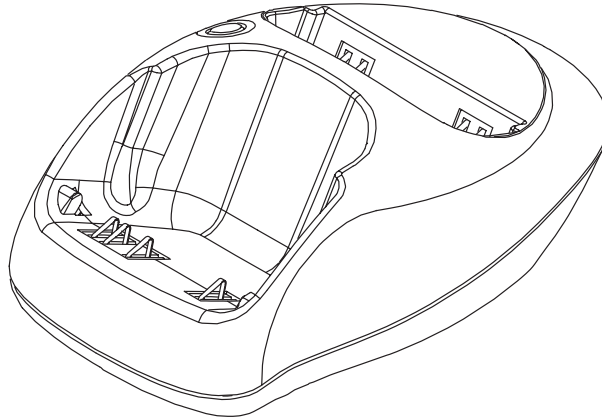
Fast Travel Charger (Euro plug) 90-264 Vac	ACP-9E	0675149
Fast Travel Charger (US plug) 90-264 Vac	ACP-9U	0675151
Fast Travel Charger (UK plug) 90-264 Vac	ACP-9X	0675150
Output cable PCC-1 (supplied with ACP-9):		0730053

Specification

Output connectors:	<i>3.5 mm DC plug, 3-pole (+, -, control)</i>
Protection:	<i>output current limiting, max. 850 mA</i> <i>output voltage limiting, max. 9.3 V (unloaded)</i>
Output voltage/current (typ):	<i>8.4 V / 800 mA</i>

Desktop Stand DCH-9

The desktop stand provides mounting place for both the phone and a spare battery.



Product Code

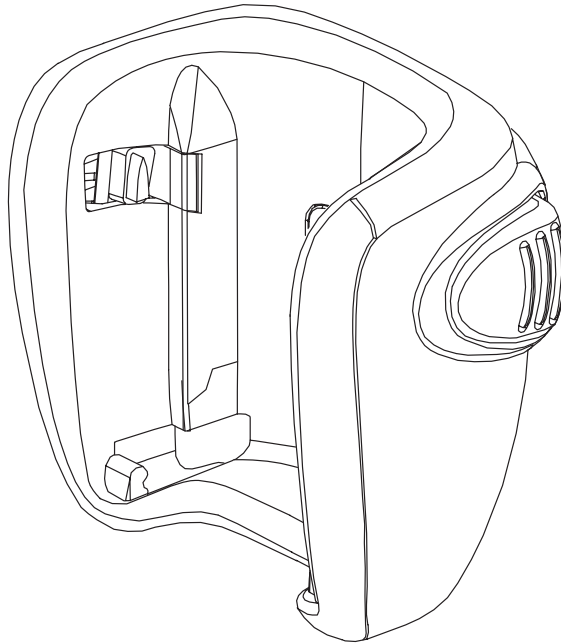
Desktop stand DCH-9:

0675174
0700049

Specification

Connections:	3.5 mm DC jack
Charge control:	MCU control for spare battery charging
Operation input voltage:	9...16 V

Mobile Holder MBC-1

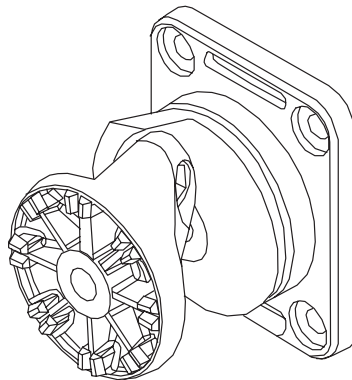


Product Code

Mobile holder MBC-1: *0700060*

Swivel Mount HHS-9

The HHS-9 swivel mounting plate provides a method of locating the phone holder, the handsfree unit, or the handset.

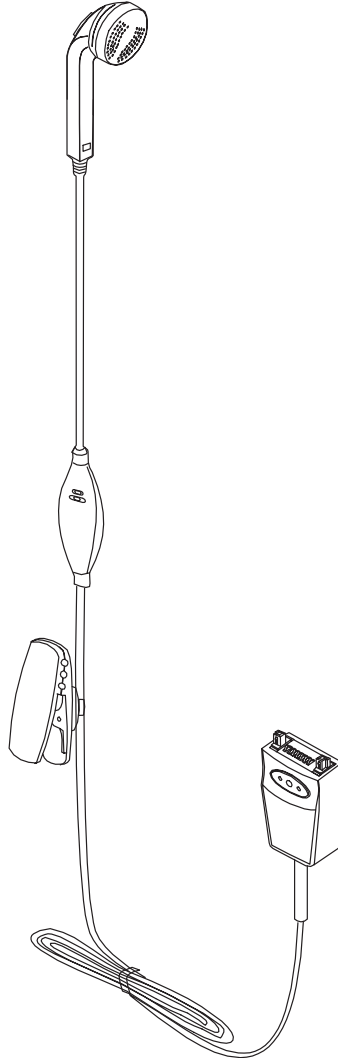


Product Code

Swivel mounting plate HHS-9: *0620037*

Headset HDC-9

The HDC-9 headset provides a also hook switch for the phone/micro-
phone.

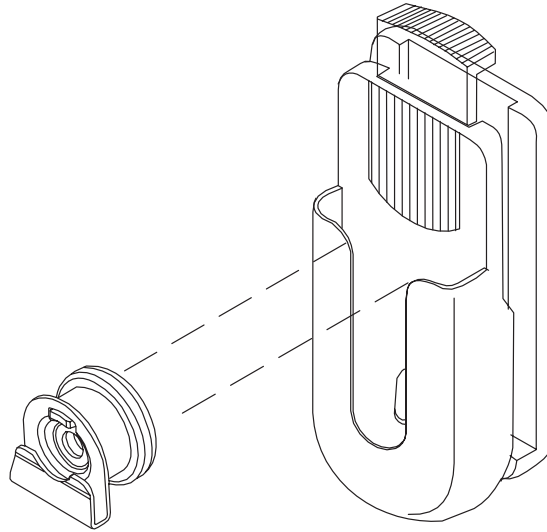


Product Code

Headset HDC-9:

0694053

Belt Clip BCH-12



Product Code

Belt Clip BCH-12:

0720098

This page intentionally left blank.